

CERTEX[®]

Spinal Fixation System



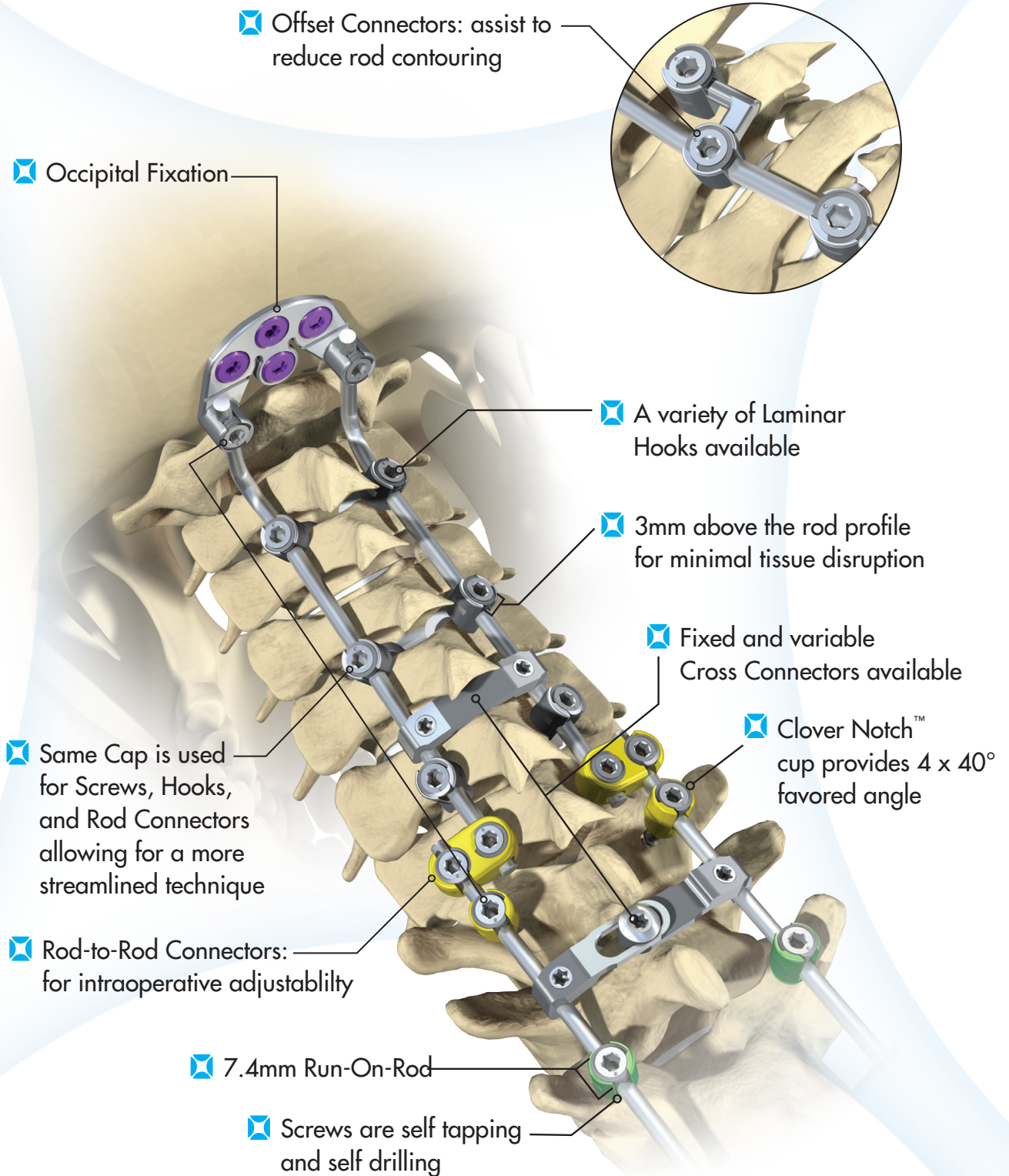
- ❑ Clover Notch[™]
Favored Angle Screws
- ❑ Extensive Implant Selection
- ❑ Streamlined Instrumentation

 X-spineSM
X-treme Innovations



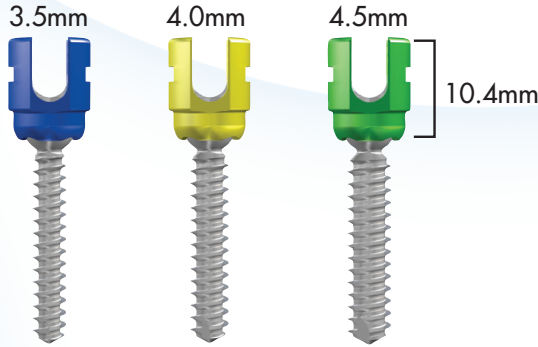
CERTEX[®]

Spinal Fixation System

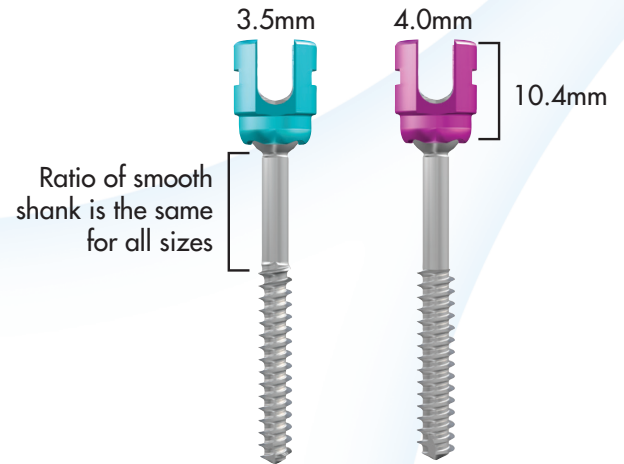


Lateral Mass Screws

Full Thread Screws



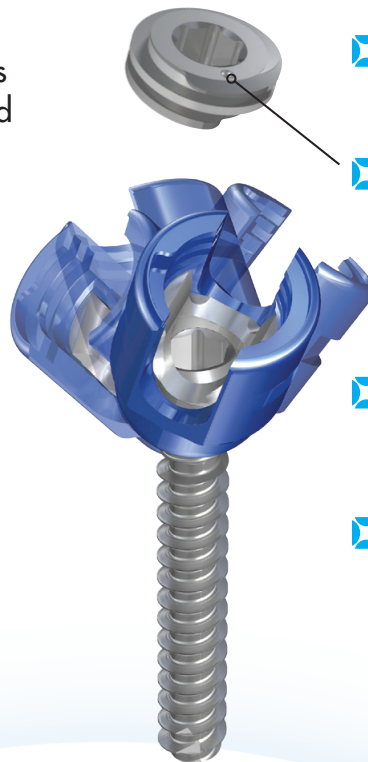
Smooth Shank Screws



❑ Conical shape cap provides multiple point fixation to rod

❑ Wide range of screw diameters and lengths allows for anatomical variation

❑ Surgeon can attain favored angle at four positions due to Clover Notch™ cup



❑ Low locking torque at 35 inch-pounds

❑ Recessed marker gives visual identifier of lead-in thread to minimize cross threading

❑ 4 x 40° favored angle provides up to 80° of polyaxial motion

❑ Non-favored angle provides up to 62° of polyaxial motion

Occipital Screws



Screw Diameters 4.5 and 5.5mm
6-16mm Lengths

Occipital Plates



Small (24mm)

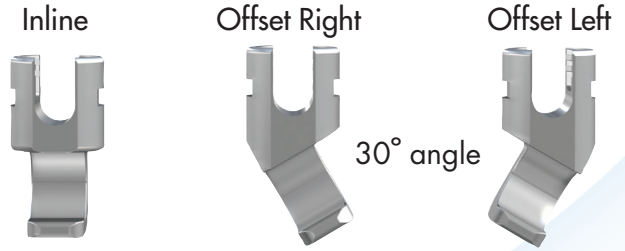
Medium (30mm)

Large (36mm)



Cervical Hooks

- ☒ Hooks available in 4.5mm and 6.0mm widths
- ☒ Final lock at 35 inch-pounds



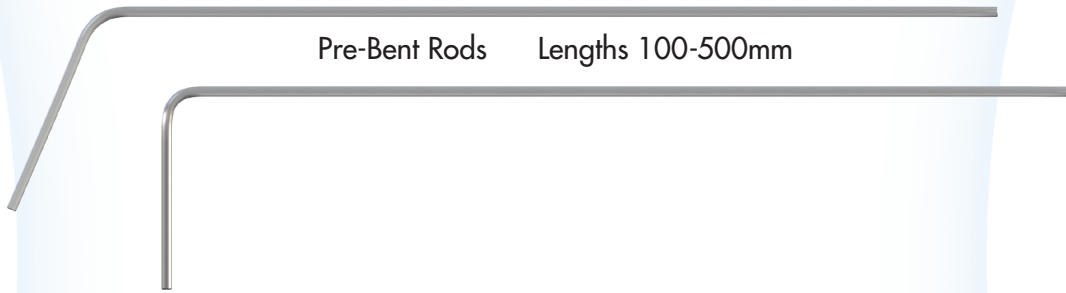
Rods



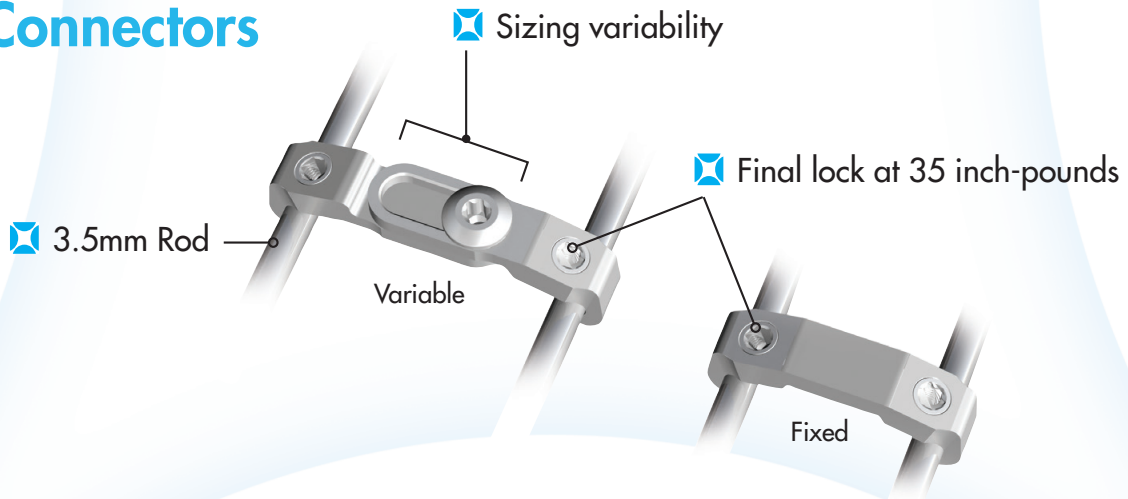
Lengths Available:

- ☒ 30-50mm (5mm increments)
- ☒ 60-100mm (10mm increments)
- ☒ 200mm

3.5/5.5mm Transitional Rod 400mm length



Cross Connectors

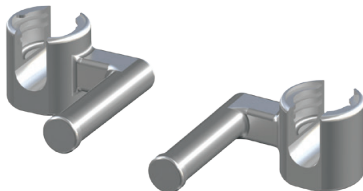


Offset and Rod Connectors

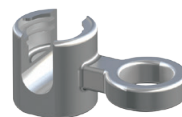
Lateral Offset Connector



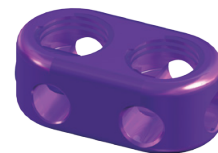
Left and Right Offset Connectors



Cable Connector



Parallel Connector



Axial/Parallel Connector



Certex® Screws and Cap

Item#	Description
X067-0020	3.5mm x 10mm Screw
X067-0021	3.5mm x 12mm Screw
X067-0022	3.5mm x 14mm Screw
X067-0023	3.5mm x 16mm Screw
X067-0024	3.5mm x 18mm Screw
X067-0025	3.5mm x 20mm Screw
X067-0026	3.5mm x 22mm Screw
X067-0250	3.5mm x 16mm Threaded x 8mm Smooth x 24mm Overall Screw
X067-0253	3.5mm x 18mm Threaded x 8mm Smooth x 26mm Overall Screw
X067-0257	3.5mm x 20mm Threaded x 9mm Smooth x 29mm Overall Screw
X067-0261	3.5mm x 22mm Threaded x 9mm Smooth x 31mm Overall Screw
X067-0264	3.5mm x 24mm Threaded x 10mm Smooth x 34mm Overall Screw
X067-0267	3.5mm x 26mm Threaded x 10mm Smooth x 36mm Overall Screw
X067-1500	4.0mm x 10mm Screw
X067-1501	4.0mm x 12mm Screw
X067-1502	4.0mm x 14mm Screw
X067-1503	4.0mm x 16mm Screw
X067-1504	4.0mm x 18mm Screw
X067-1505	4.0mm x 20mm Screw
X067-1506	4.0mm x 22mm Screw
X067-1507	4.0mm x 24mm Screw
X067-1508	4.0mm x 26mm Screw
X067-1509	4.0mm x 28mm Screw
X067-1541	4.0mm x 16mm Threaded x 11mm Smooth x 27mm Overall Screw
X067-1544	4.0mm x 18mm Threaded x 11mm Smooth x 29mm Overall Screw
X067-1548	4.0mm x 20mm Threaded x 12mm Smooth x 32mm Overall Screw
X067-1552	4.0mm x 22mm Threaded x 12mm Smooth x 34mm Overall Screw
X067-1555	4.0mm x 24mm Threaded x 13mm Smooth x 37mm Overall Screw
X067-1558	4.0mm x 26mm Threaded x 13mm Smooth x 39mm Overall Screw
X067-0045	4.5mm x 20mm Screw
X067-0047	4.5mm x 24mm Screw
X067-0049	4.5mm x 28mm Screw
X067-0051	4.5mm x 32mm Screw
X067-0053	4.5mm x 36mm Screw
X067-0055	4.5mm x 40mm Screw
X067-0105	Certex Cap

Certex® Rods

Item#	Description
X067-0370	3.5mm Rod, 30mm
X067-0371	3.5mm Rod, 35mm
X067-0372	3.5mm Rod, 40mm
X067-0373	3.5mm Rod, 45mm
X067-0374	3.5mm Rod, 50mm
X067-0376	3.5mm Rod, 60mm
X067-0378	3.5mm Rod, 70mm
X067-0380	3.5mm Rod, 80mm
X067-0382	3.5mm Rod, 90mm
X067-0384	3.5mm Rod, 100mm
X067-0404	3.5mm Rod, 200mm
X067-0368	3.5mm - 5.5mm Transitional Rod, 400mm

Certex® Cross Connectors

Item#	Description
X067-0130	Cross Connector, 28-33mm
X067-0131	Cross Connector, 33-42mm
X067-0132	Cross Connector, 42-58mm
X067-0150	Fixed Cross Connector, 22mm
X067-0151	Fixed Cross Connector, 24mm
X067-0152	Fixed Cross Connector, 26mm

Certex® Hooks

Item#	Description
X067-1700	Lamina Hook, Inline, 4.5mm
X067-1701	Lamina Hook, Inline, 6.0mm
X067-1710	Lamina Hook, Offset Right, 4.5mm
X067-1711	Lamina Hook, Offset Right, 6.0mm
X067-1720	Lamina Hook, Offset Left, 4.5mm
X067-1721	Lamina Hook, Offset Left, 6.0mm



Certex® System Occipital Set

Item#	Description
X067-0212	Small Occipital Plate, 24mm
X067-0213	Medium Occipital Plate, 30mm
X067-0214	Large Occipital Plate, 36mm
X067-0220	Occipital, 4.5mm X 6mm screw
X067-0221	Occipital, 4.5mm X 7mm screw
X067-0222	Occipital, 4.5mm X 8mm screw
X067-0223	Occipital, 4.5mm X 9mm screw
X067-0224	Occipital, 4.5mm X 10mm screw
X067-0225	Occipital, 4.5mm X 11mm screw
X067-0226	Occipital, 4.5mm X 12mm screw
X067-0227	Occipital, 4.5mm X 13mm screw
X067-0228	Occipital, 4.5mm X 14mm screw
X067-0229	Occipital, 4.5mm X 15mm screw
X067-0230	Occipital, 4.5mm X 16mm screw
X067-0235	Occipital, 5.5mm X 6mm screw
X067-0236	Occipital, 5.5mm X 7mm screw
X067-0237	Occipital, 5.5mm X 8mm screw
X067-0238	Occipital, 5.5mm X 9mm screw
X067-0239	Occipital, 5.5mm X 10mm screw
X067-0240	Occipital, 5.5mm X 11mm screw
X067-0241	Occipital, 5.5mm X 12mm screw
X067-0242	Occipital, 5.5mm X 13mm screw
X067-0243	Occipital, 5.5mm X 14mm screw
X067-0244	Occipital, 5.5mm X 15mm screw
X067-0245	Occipital, 5.5mm X 16mm screw
X067-0128	3.5mm Pre-Bent Rod, 300mm x 67°
X067-1680	3.5mm Pre-Bent Rod, 300mm x 90°

Certex® System Connector Set*

Item#	Description
X067-0170	Straight Lateral Offset Connector, 12mm
X067-0171	Straight Lateral Offset Connector, 17mm
X067-0175	Lateral Offset Connector, Right, 7mm
X067-0177	Lateral Offset Connector, Right, 11mm
X067-0180	Lateral Offset Connector, Left, 7mm
X067-0182	Lateral Offset Connector, Left, 11mm
X067-0185	90° Cable Connector
X067-0201	Axial/Parallel Rod Connector, 3.5mm to 3.5mm
X067-0203	Open Parallel Rod Connector, 3.5mm to 3.5mm
X067-0204	Open Parallel Rod Connector, 3.5mm to 5.5mm
X067-0275	Axial/Parallel Rod Connector, 5.5mm to 5.5mm
X067-0276	Open Parallel Rod Connector, 5.5mm to 5.5mm
X067-1600	3.5mm Continuous Radius Rod, 30mm
X067-1602	3.5mm Continuous Radius Rod, 40mm
X067-1604	3.5mm Continuous Radius Rod, 50mm
X067-1606	3.5mm Continuous Radius Rod, 60mm
X067-1608	3.5mm Continuous Radius Rod, 70mm
X067-1610	3.5mm Continuous Radius Rod, 80mm

*Connectors use Certex® Cap X067-0105



X-spine Systems, Inc.

452 Alexandersville Rd., Miamisburg, OH 45342
 Phone: 800-903-0640 • Direct: 937-847-8400 • Fax: 937-847-8410
www.x-spine.com

INDICATIONS: See Package Insert for a more complete listing of indications, contraindications, warnings, precautions, and other important information.

LIMITED WARRANTY and DISCLAIMER: X-spine products have a limited warranty against defects and workmanship and materials. Any other express or implied warranties, including warranties of merchantability or fitness, are disclaimed.

WARNING: In the USA, this product has labeling limitations. See package insert for complete information. CAUTION: USA Law restricts these devices to sale by or on the order of a physician.

X-spineSM, the X-spine logo, CERTEX® and Clover NotchTM are trademarks or servicemarks of X-spine Systems, Inc.

Patents Pending.

© 2015 X-spine Systems, Inc.,
 All rights reserved.

F-1000.23 Rev C 11/15

